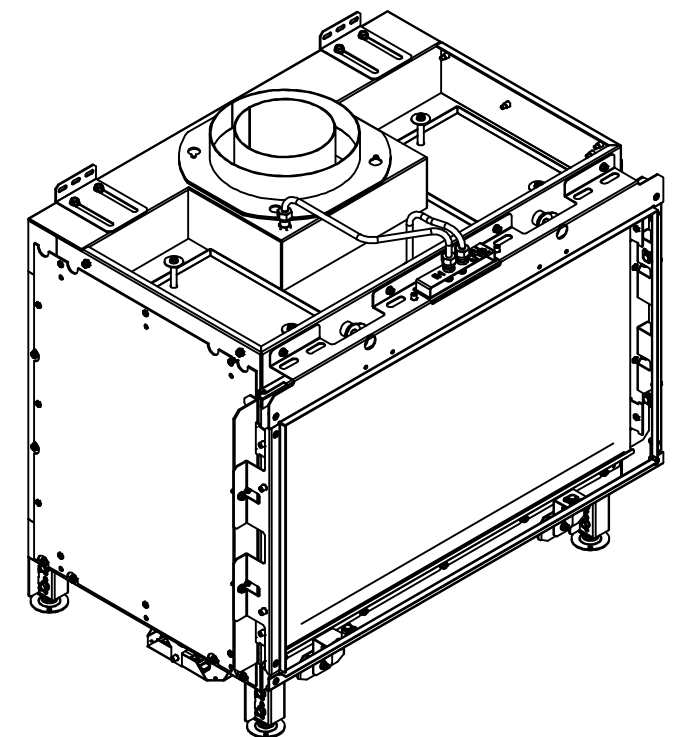
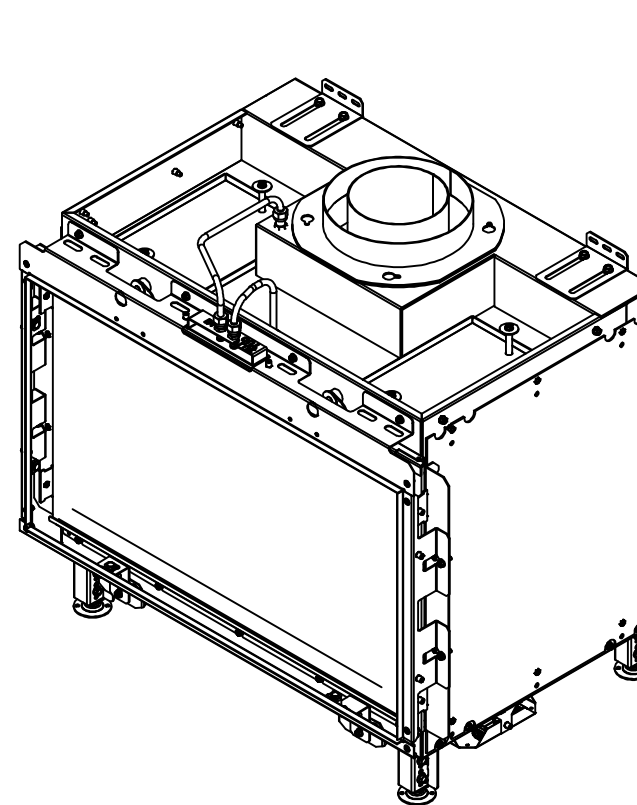
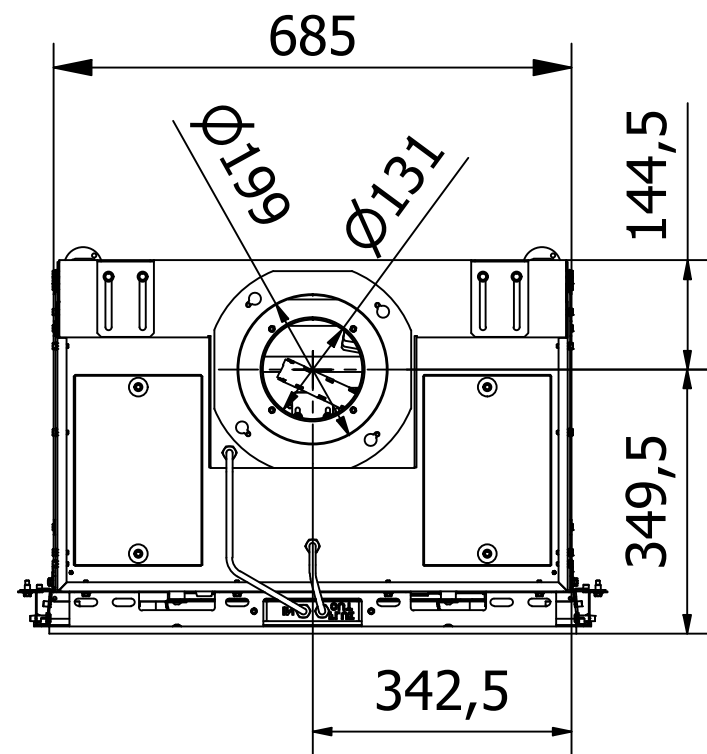
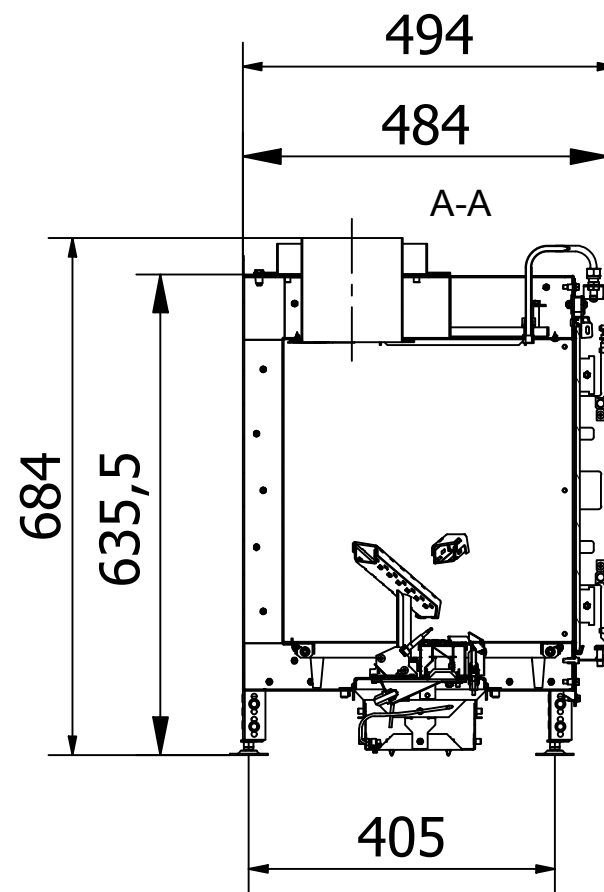
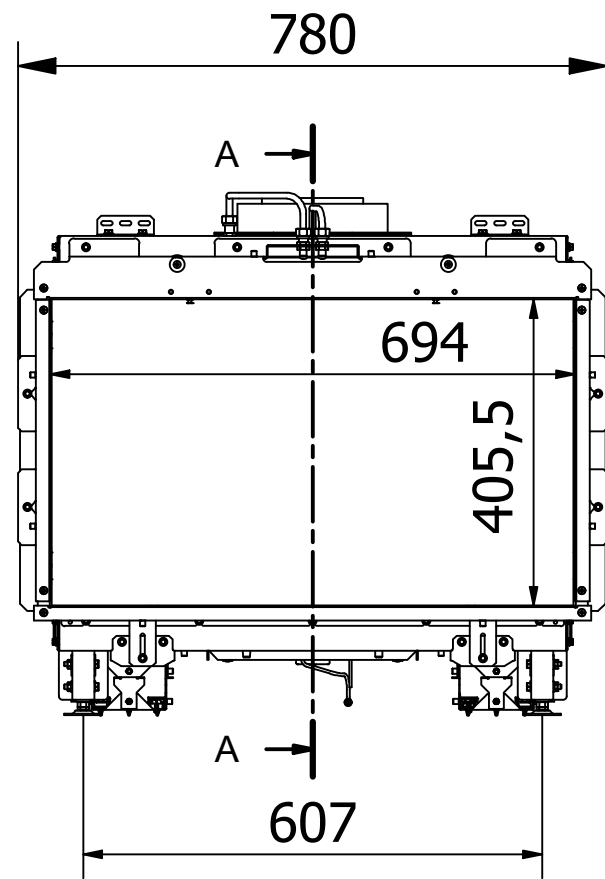


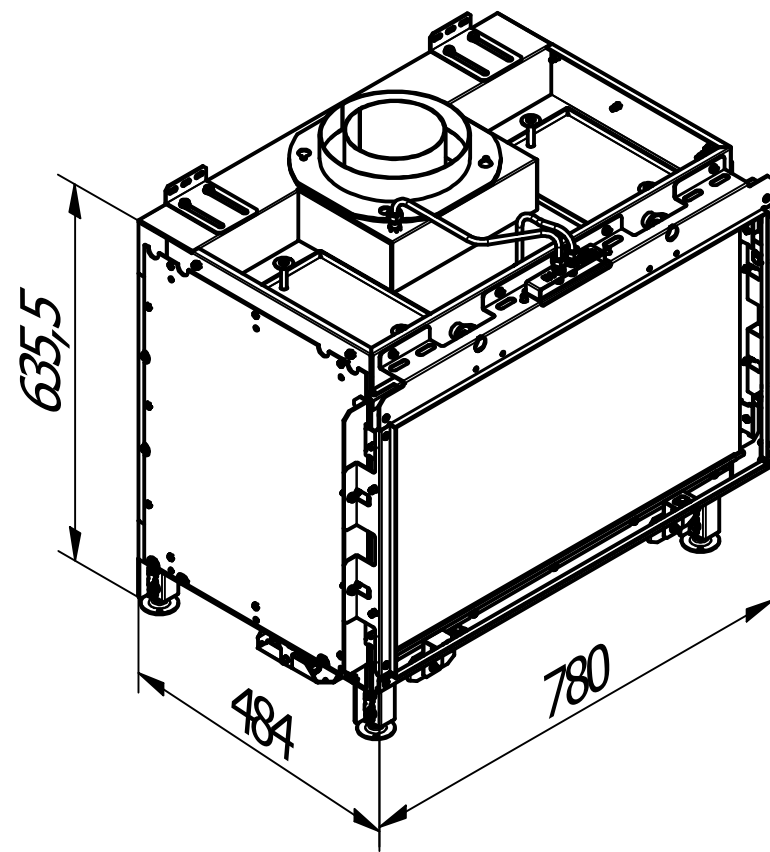
RAIS Visio Gas 70-43F-6541

Visio_Enkelt_020720

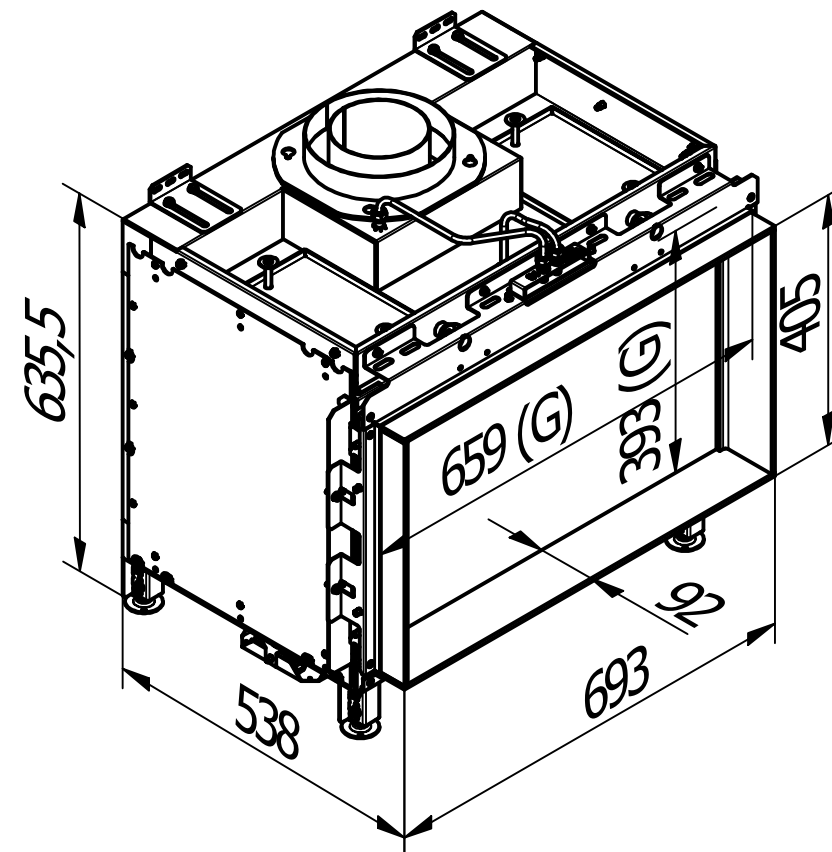


RAIS Visio Gas 70-43F-6543

Visio3_Enkelt_020720



Without frame



With frame

Recommended free
convection openings
min. 200 cm²

