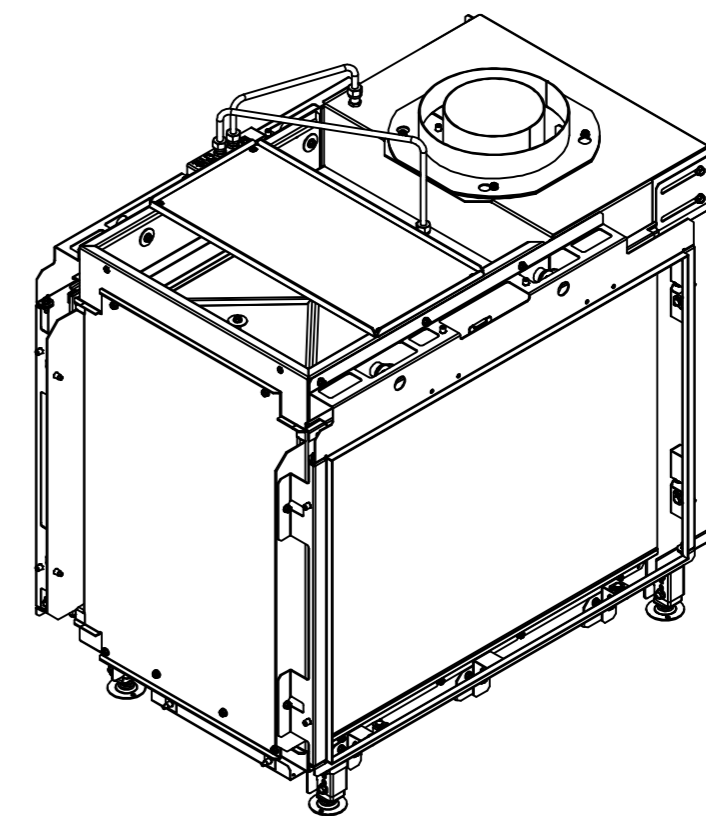
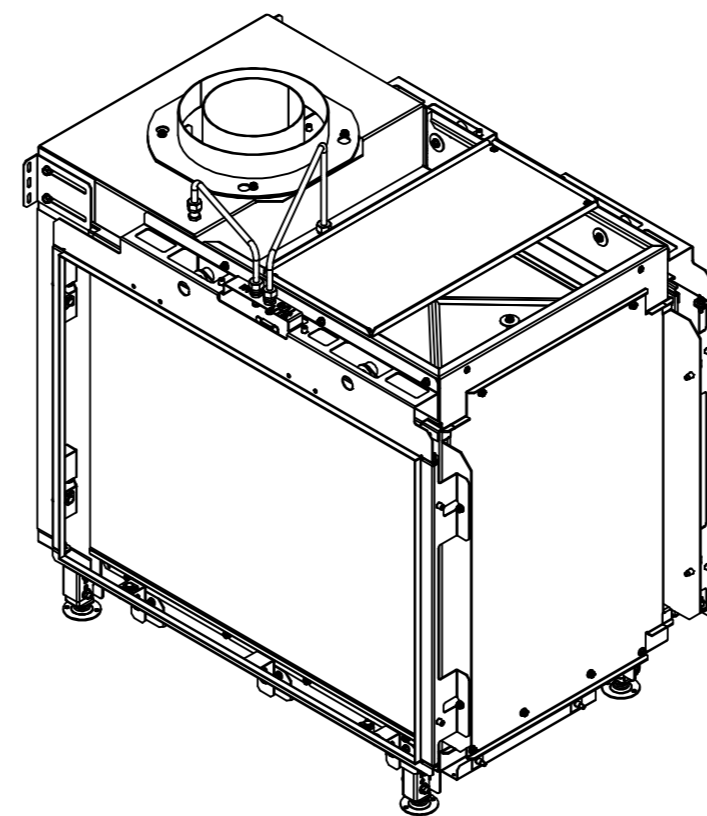
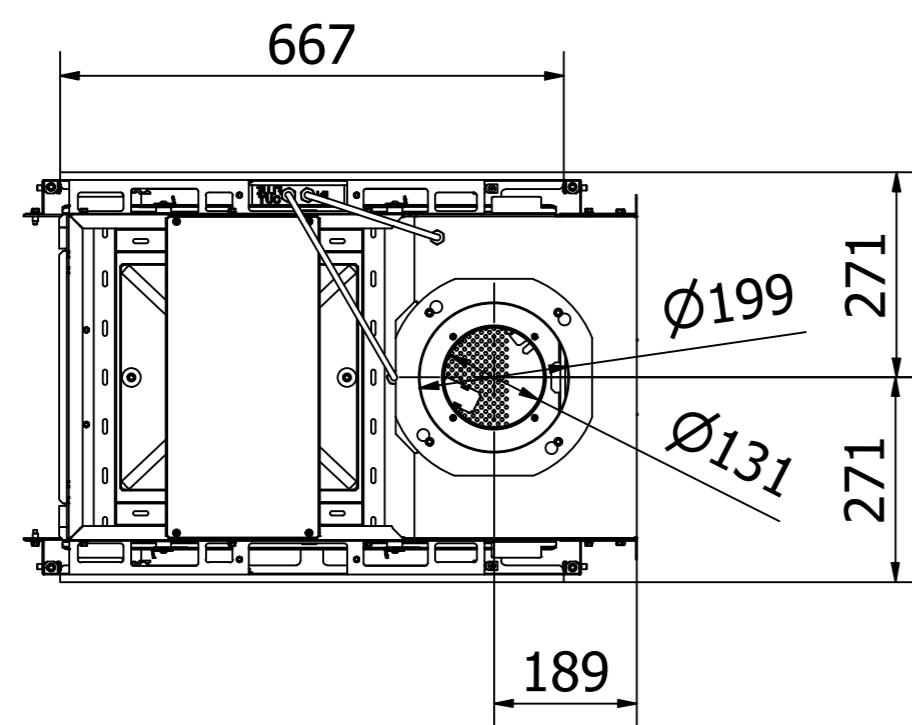
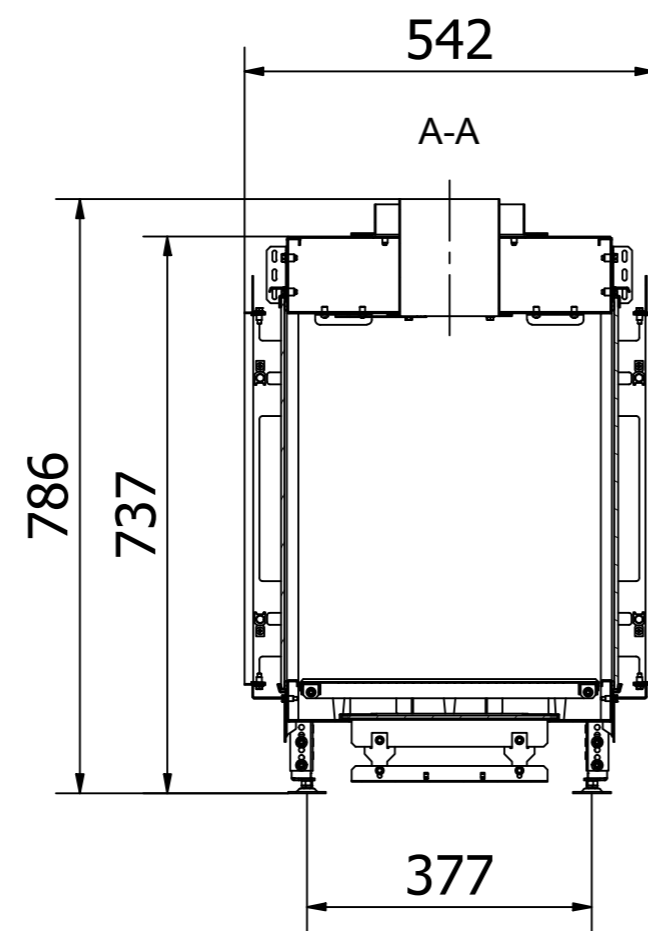
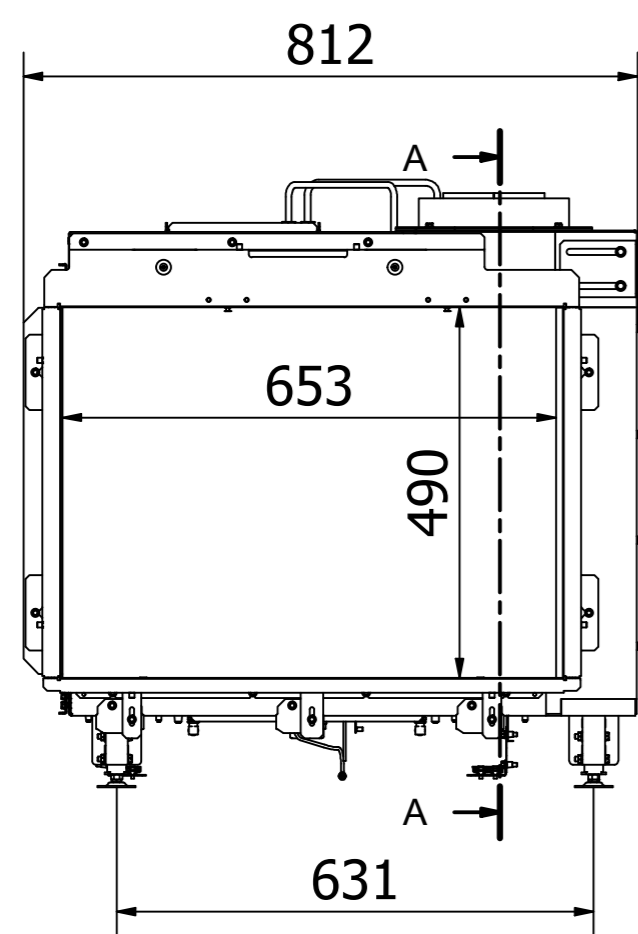


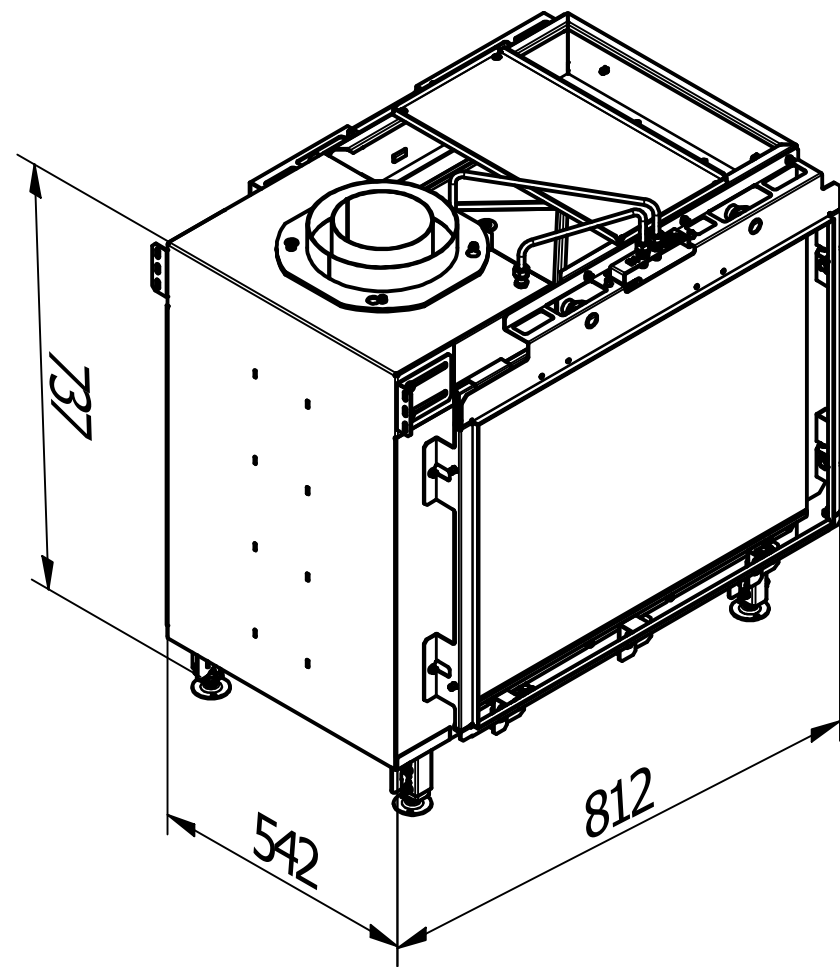
RAIS Visio Gas 43-49-65 T-6541

Visio6_Tunnel_020720

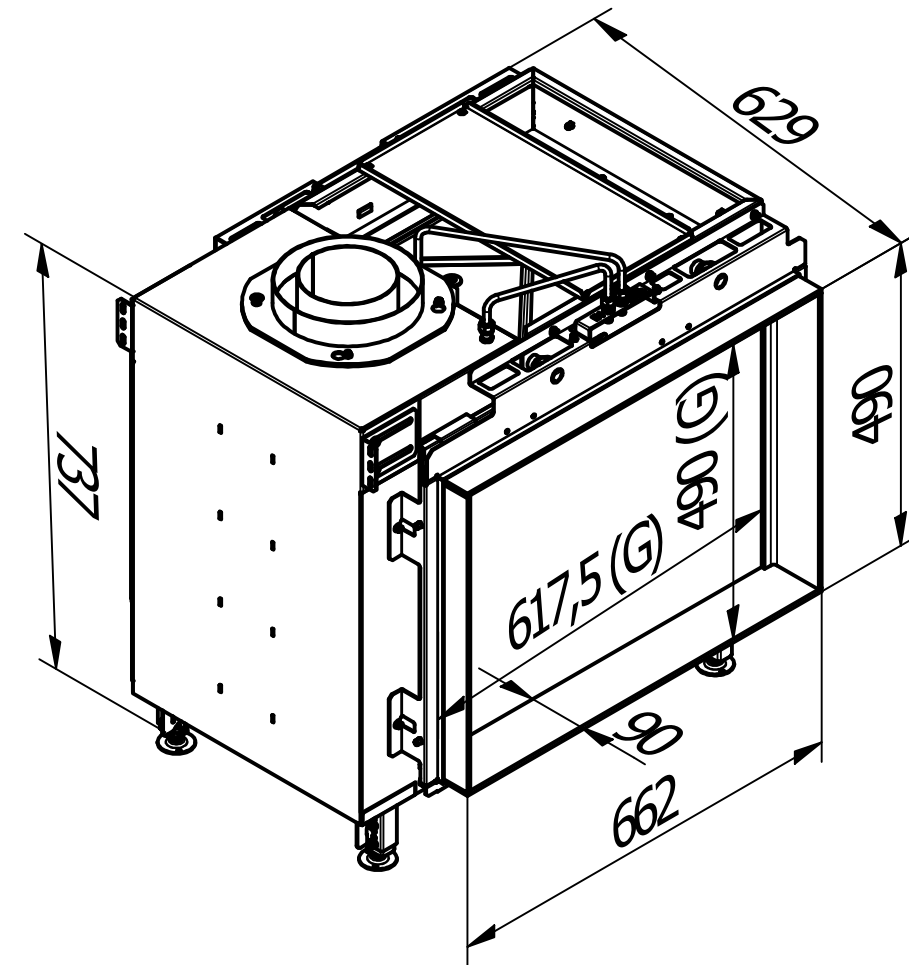


RAIS Visio Gas 43-49-65 T-6543

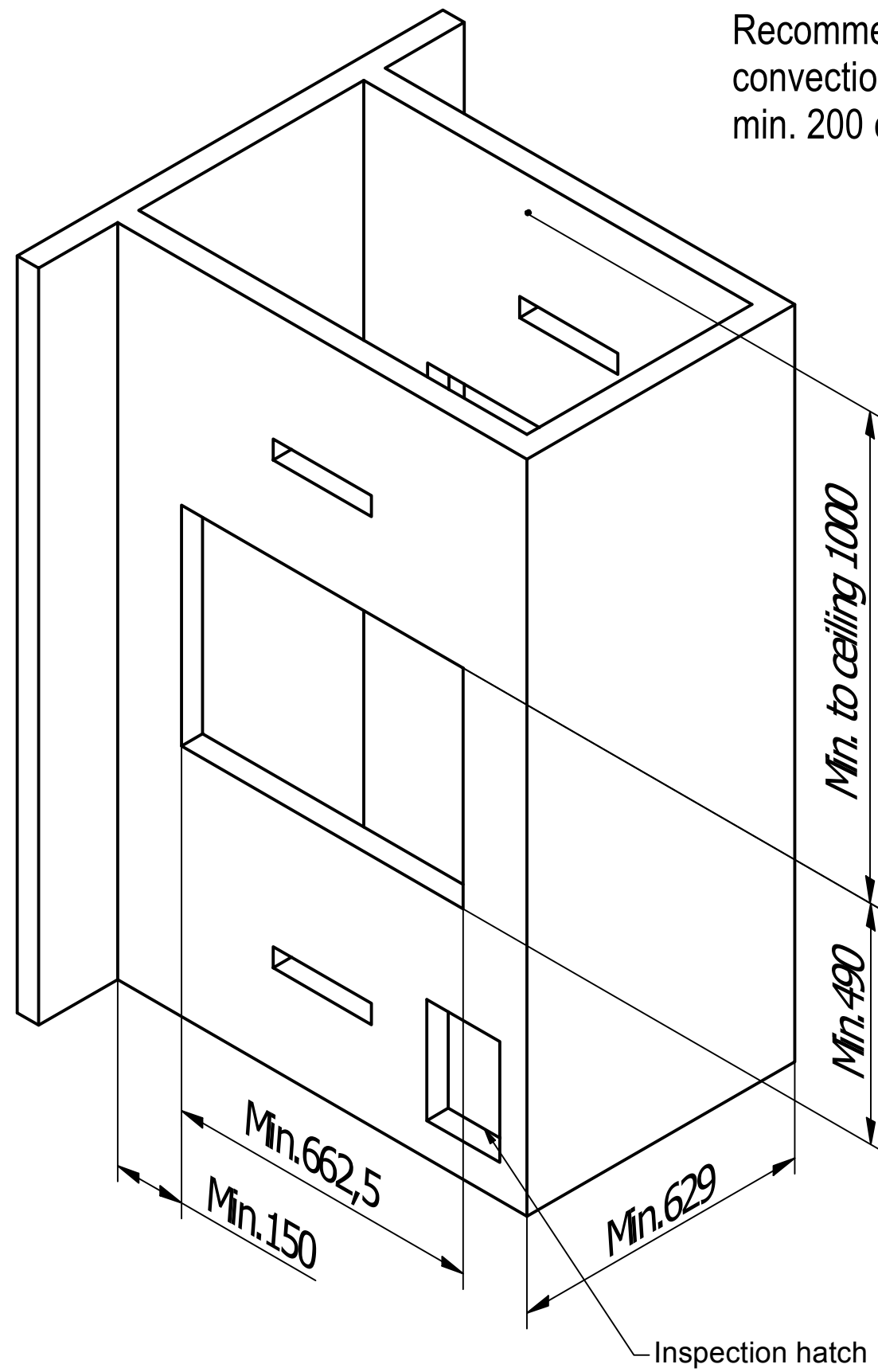
Visio6_Tunnel_020720



Without frame



With frame



Recommended free convection openings min. 200 cm²