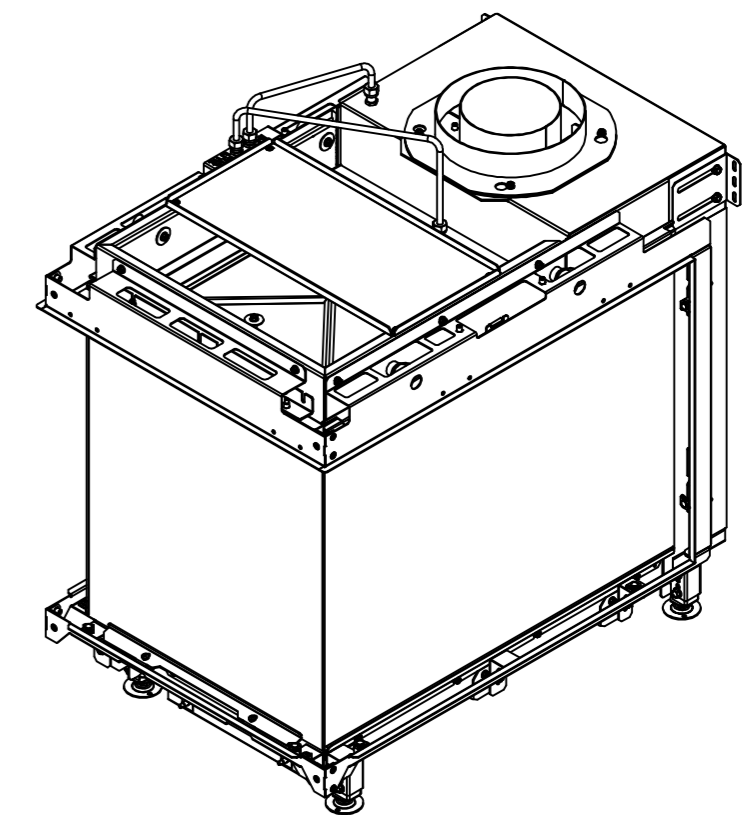
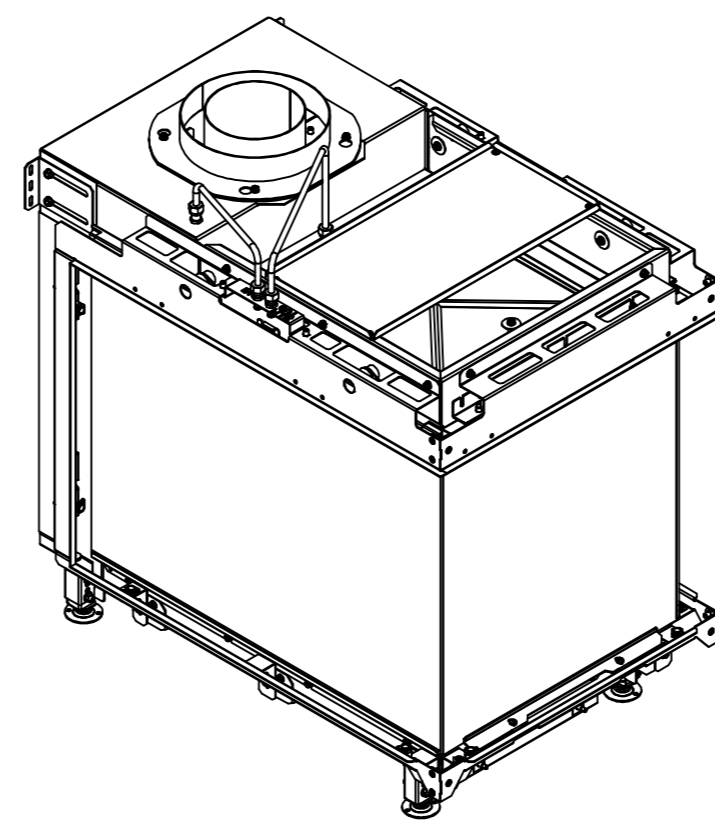
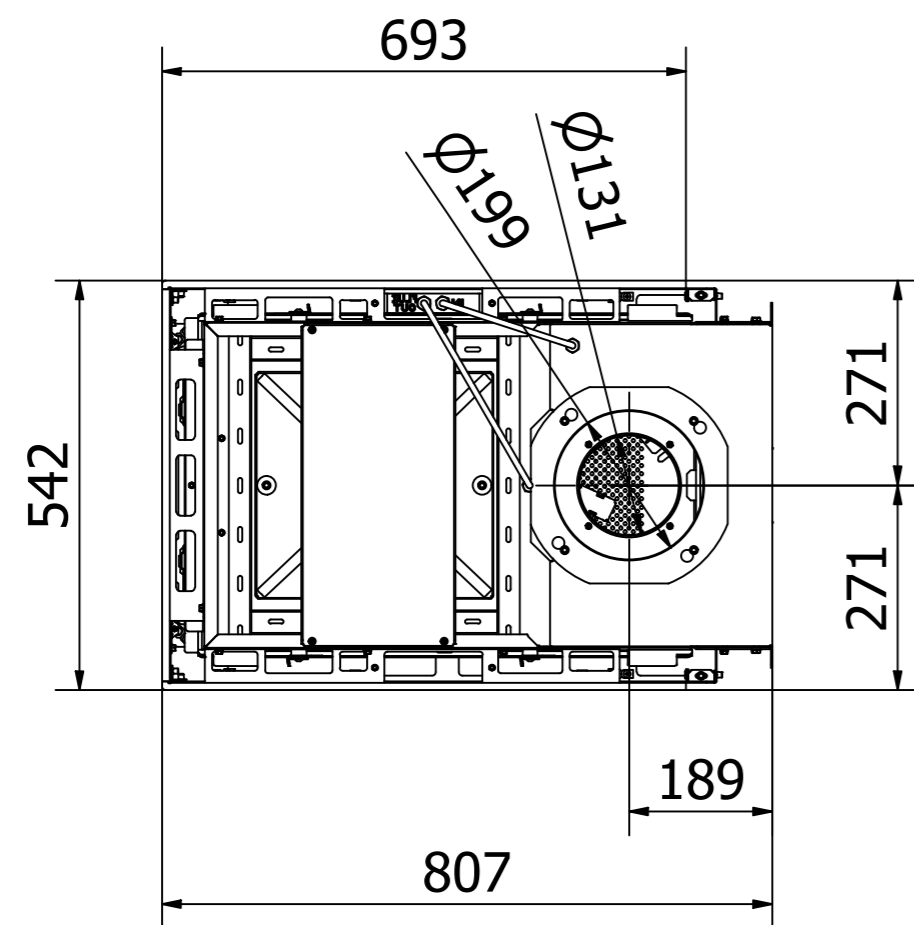
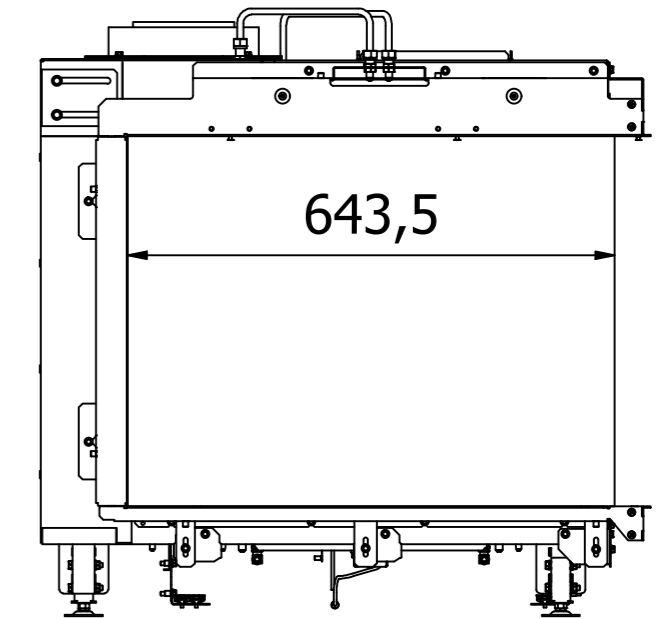
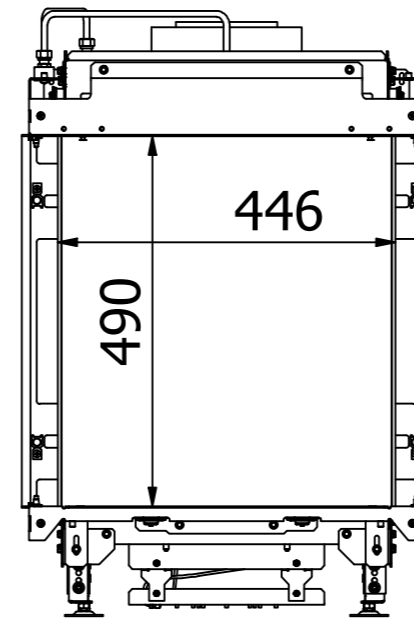
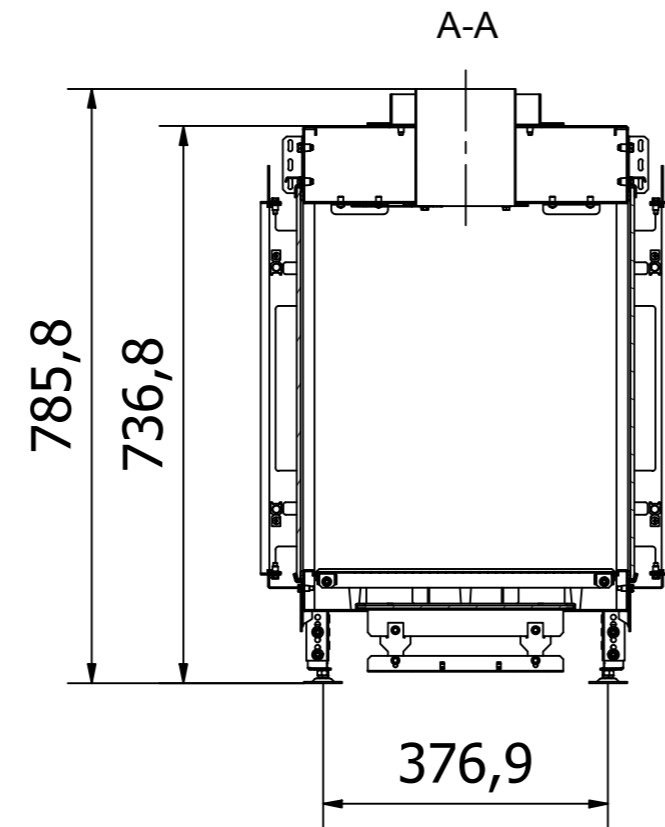
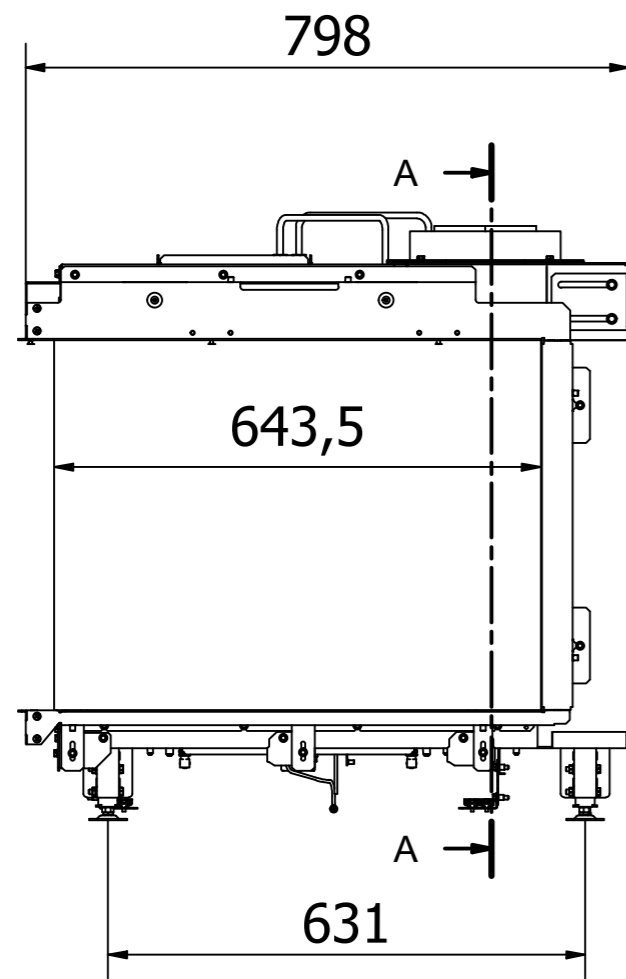


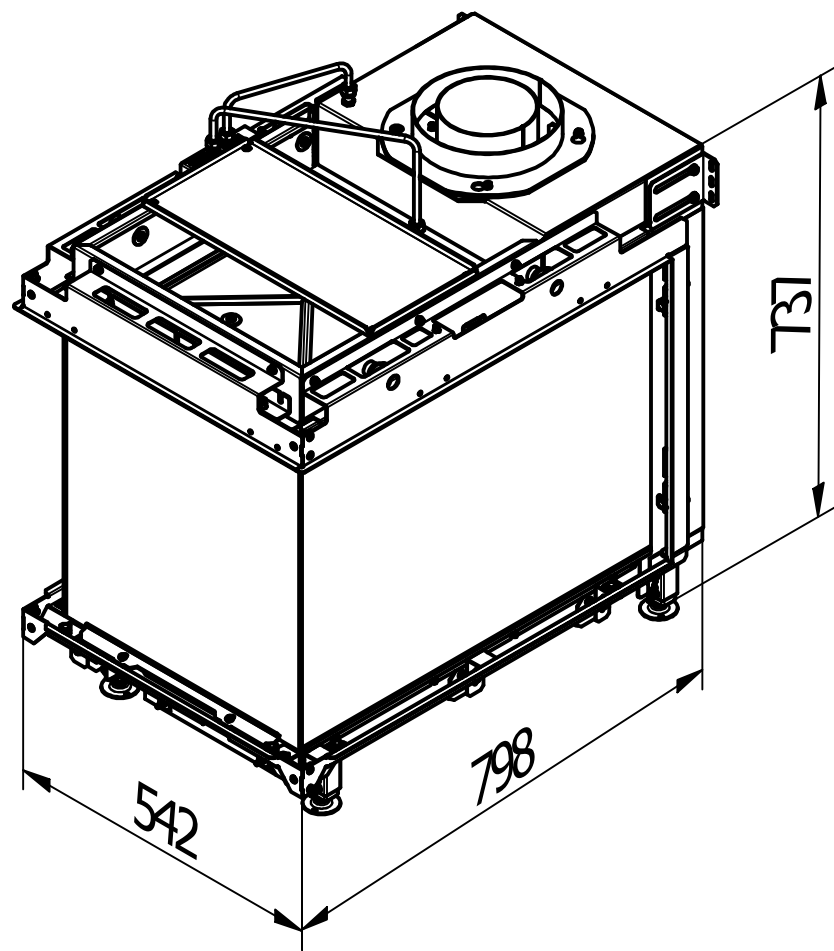
RAIS Visio Gas 43-49-65 RD-6541

Visio6\_Room\_Divider\_020720

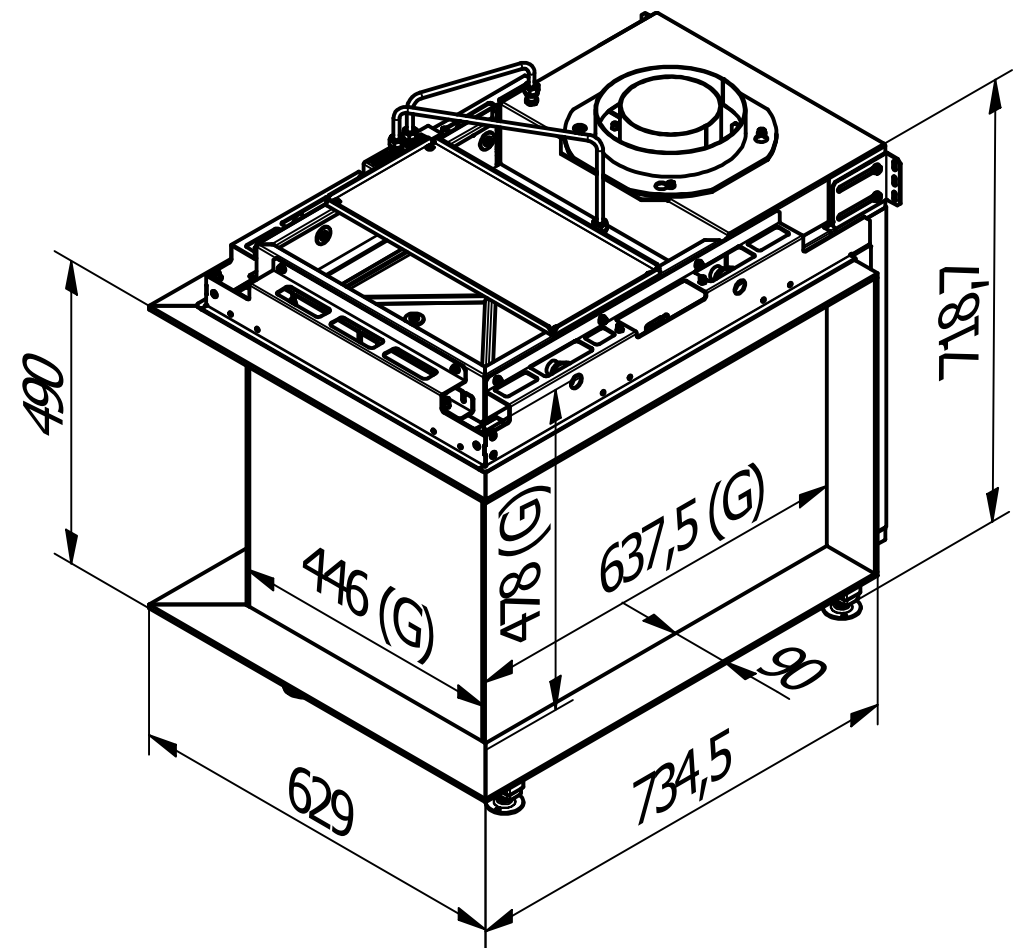


**RAIS Visio Gas 43-49-65 RD-6543**

Visio6\_Room\_Divider\_020720

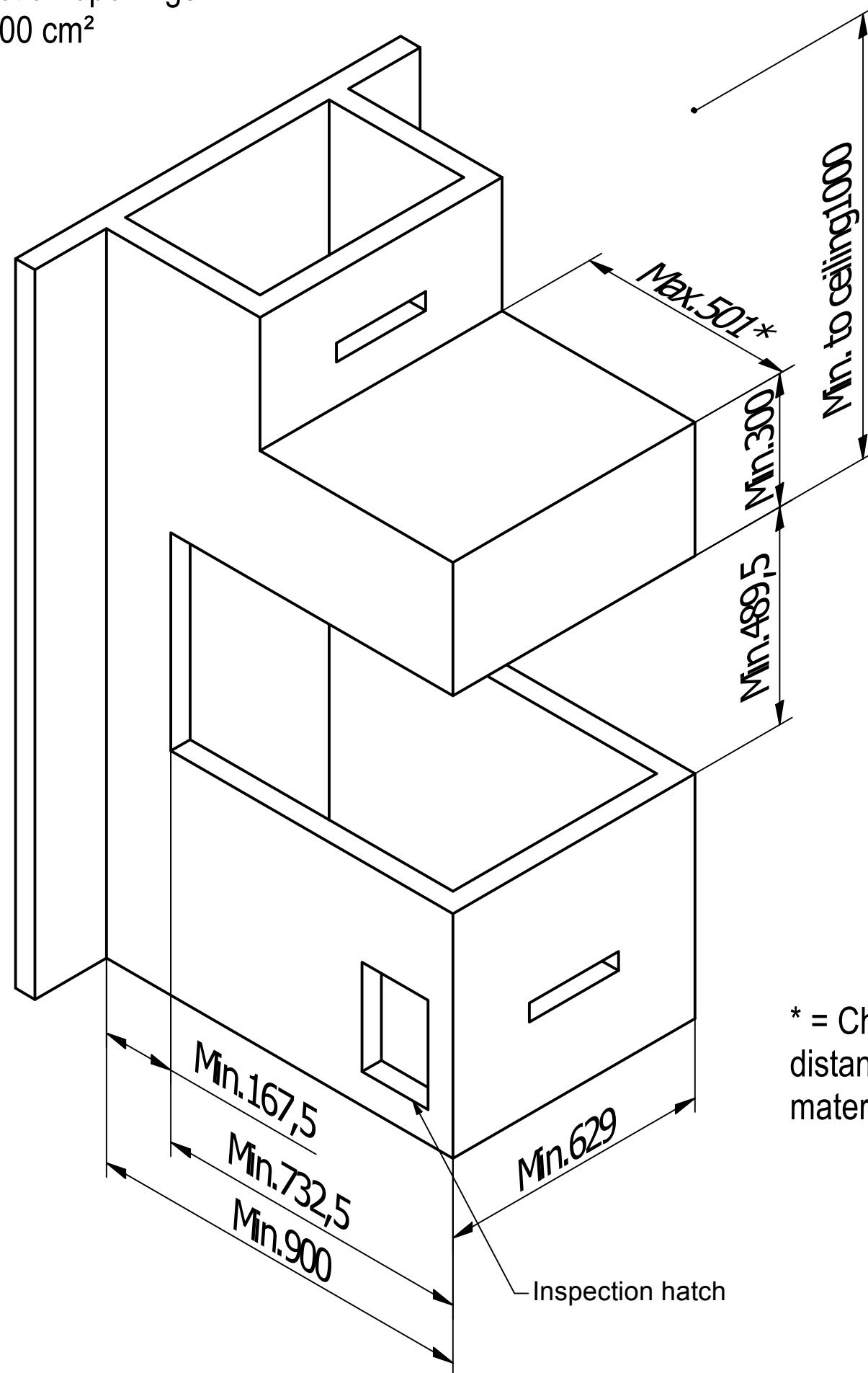


Without frame



With frame

Recommended free  
convection openings  
min. 200 cm<sup>2</sup>



\* = Check manual for  
distances to combustible  
materials.