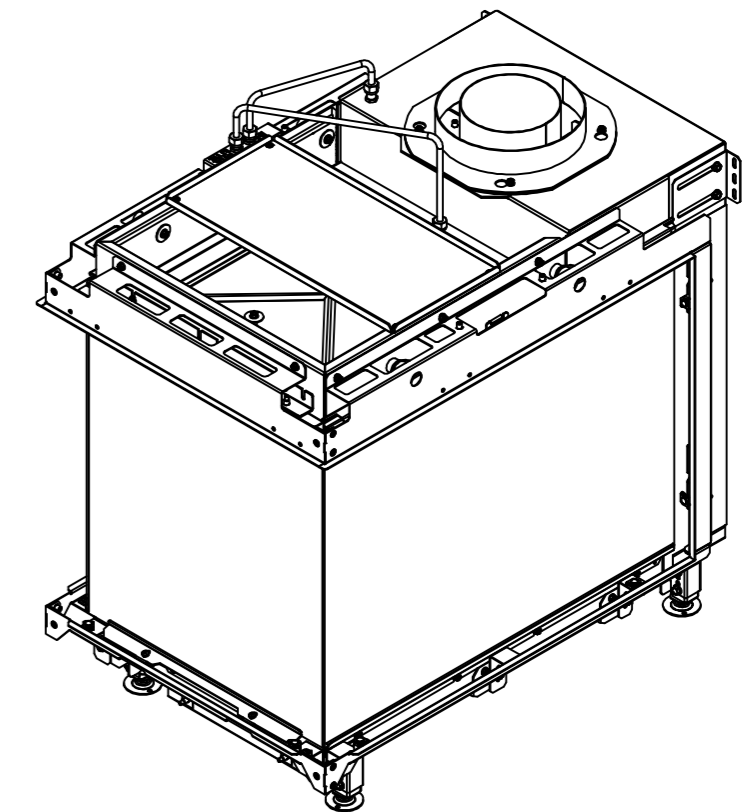
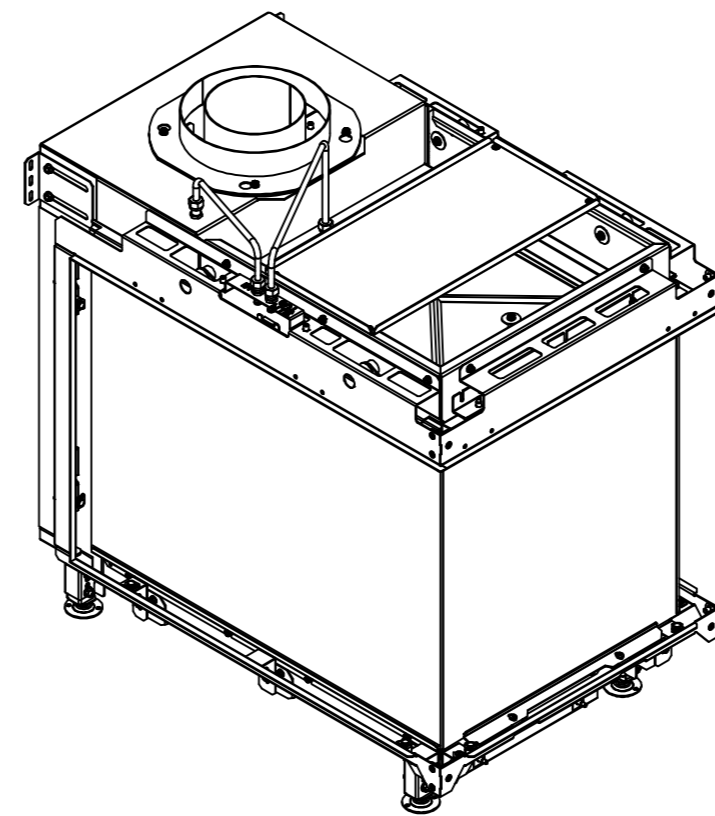
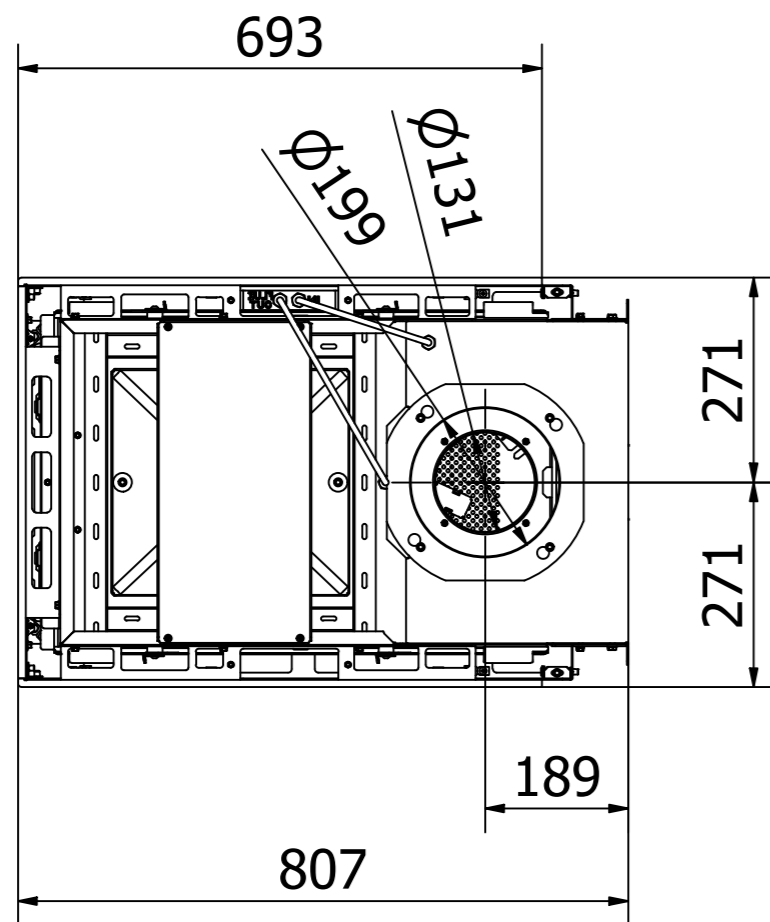
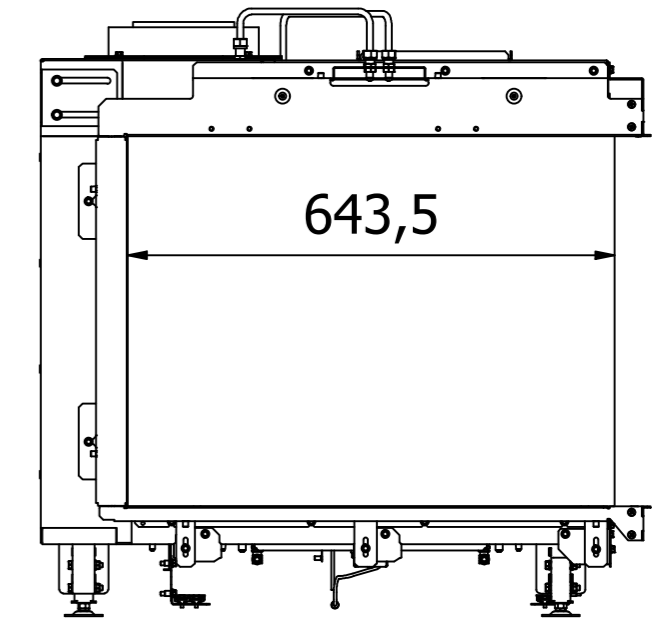
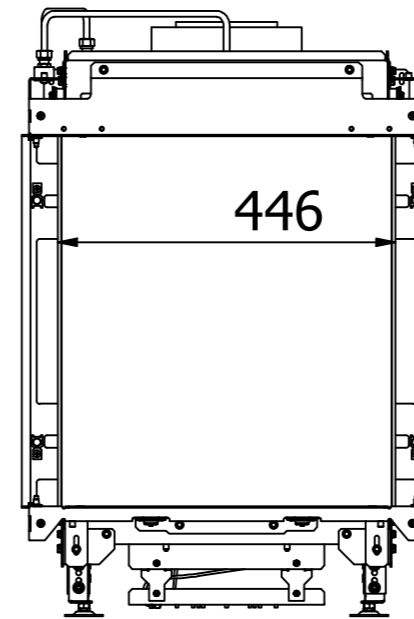
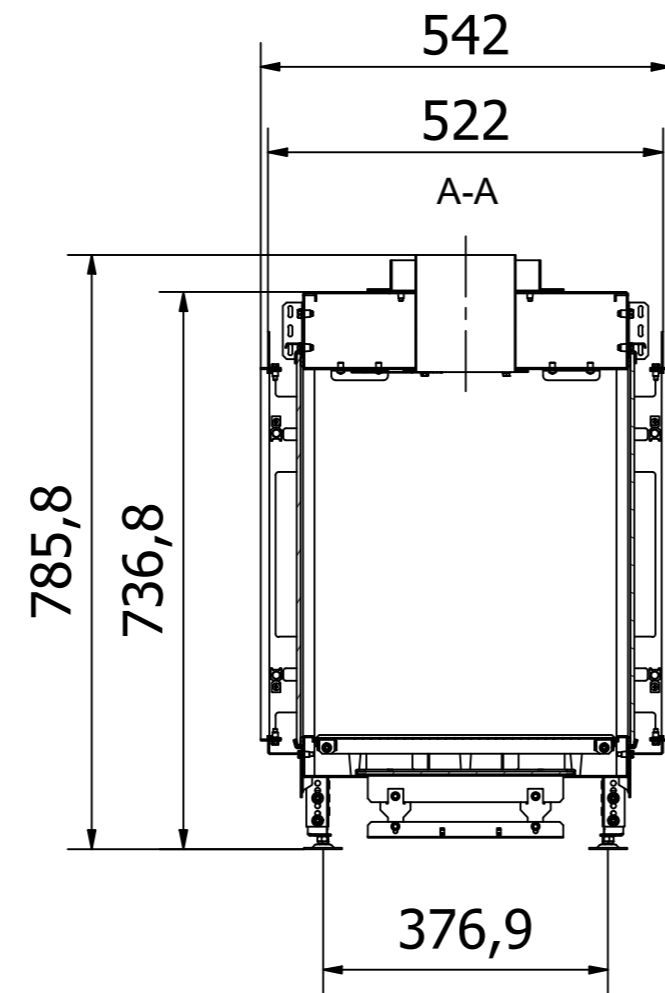
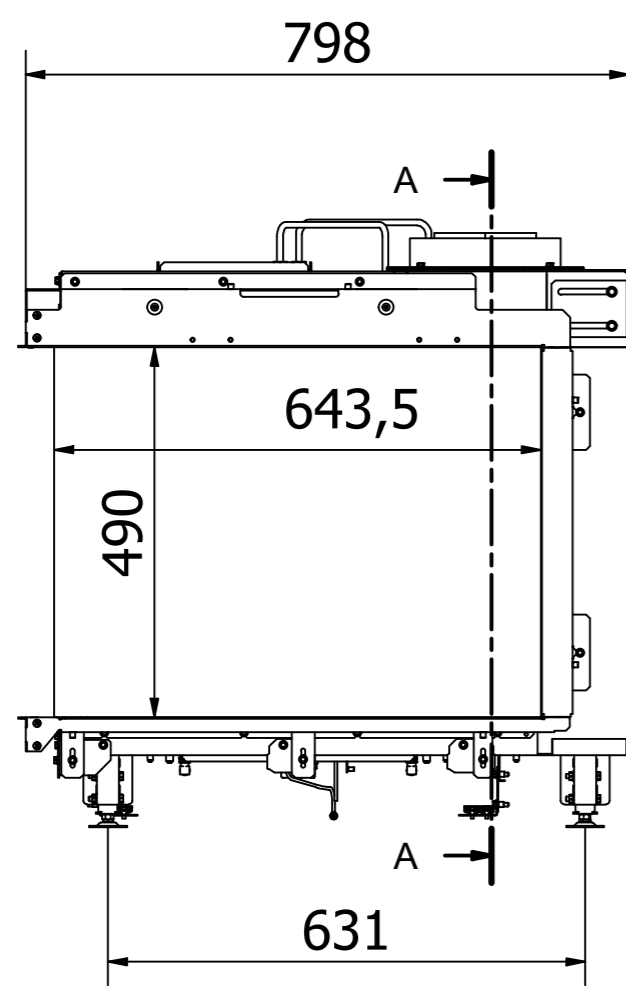


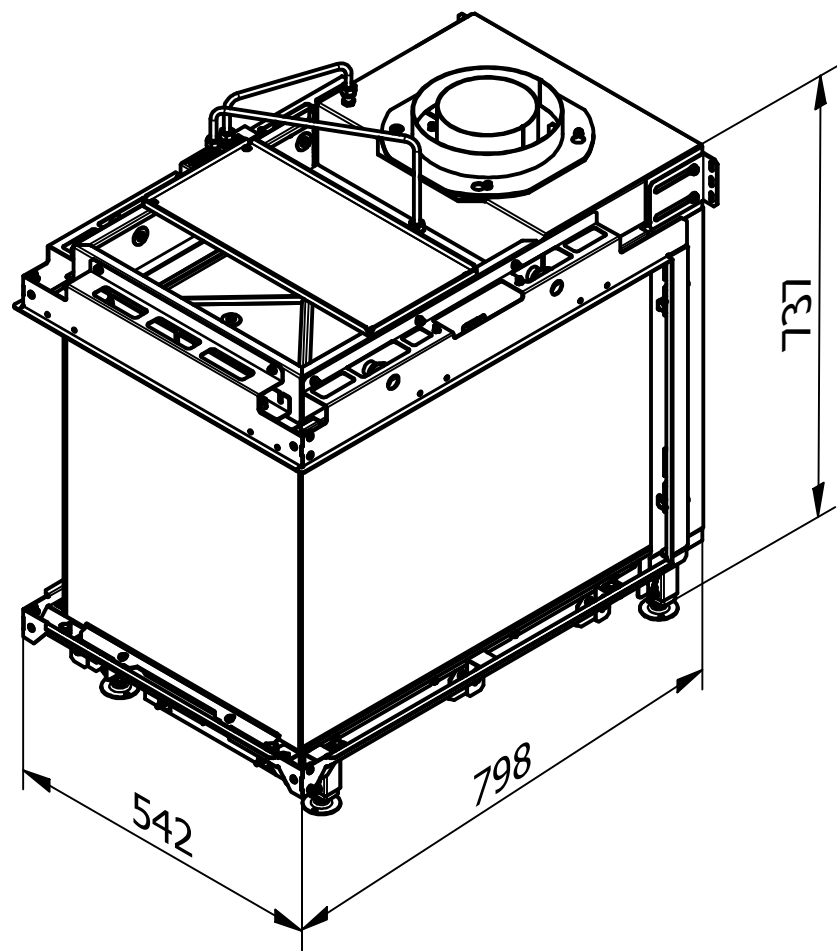
RAIS Visio Gas 43-49-65 RD-6541

Visio6_Room_Divider_061022

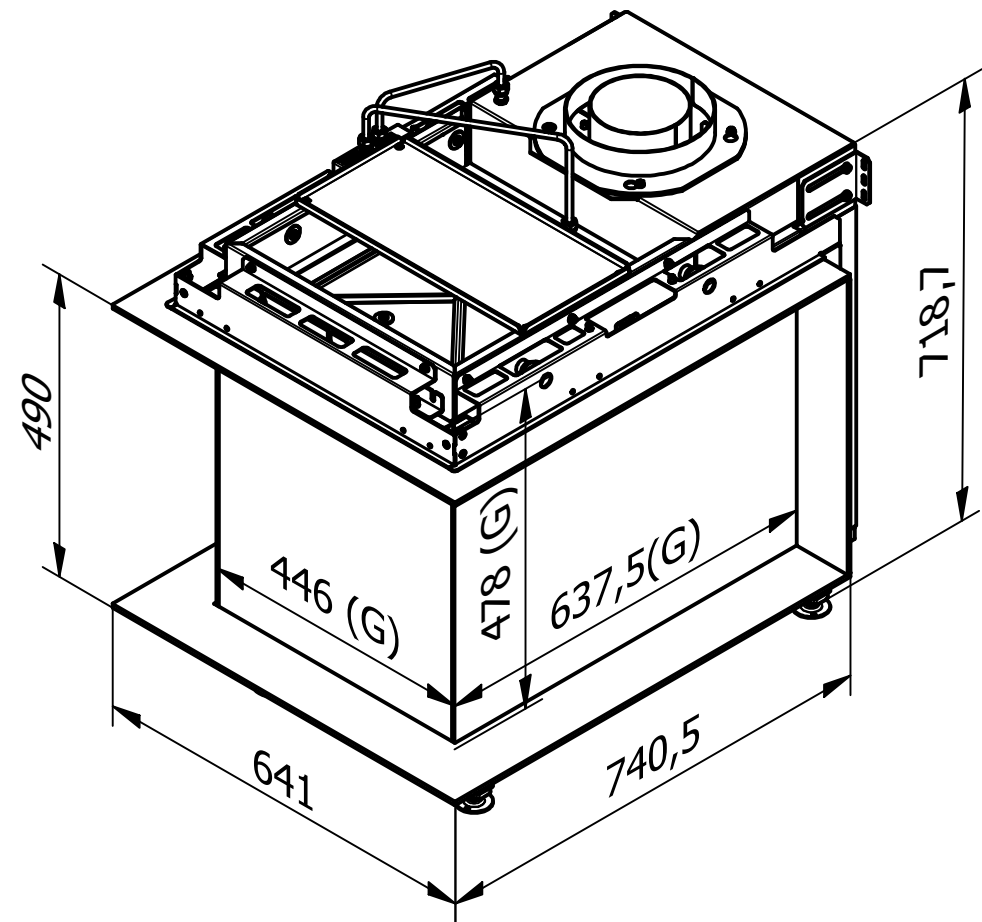


RAIS Visio Gas 43-49-65 RD-6543

Visio6_Room_Divider_061022

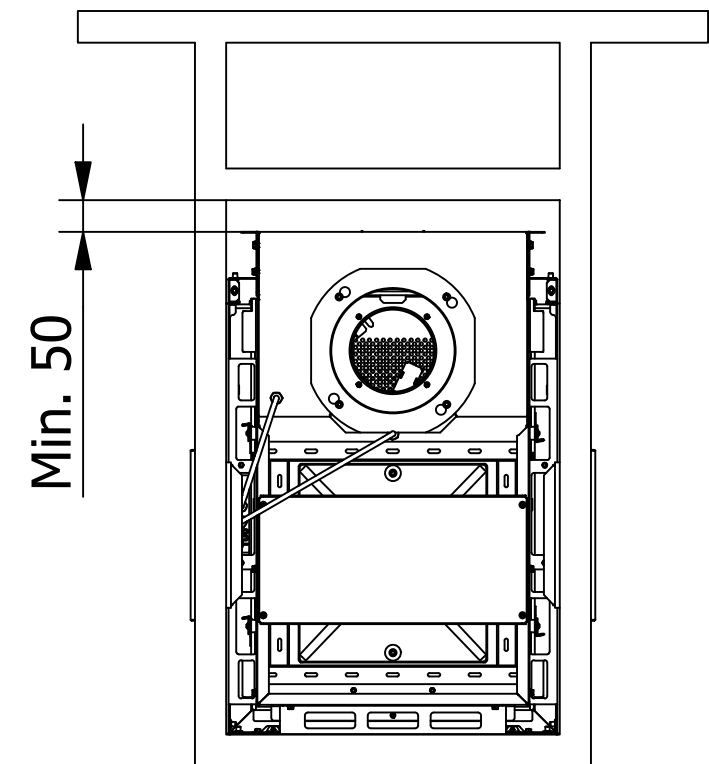
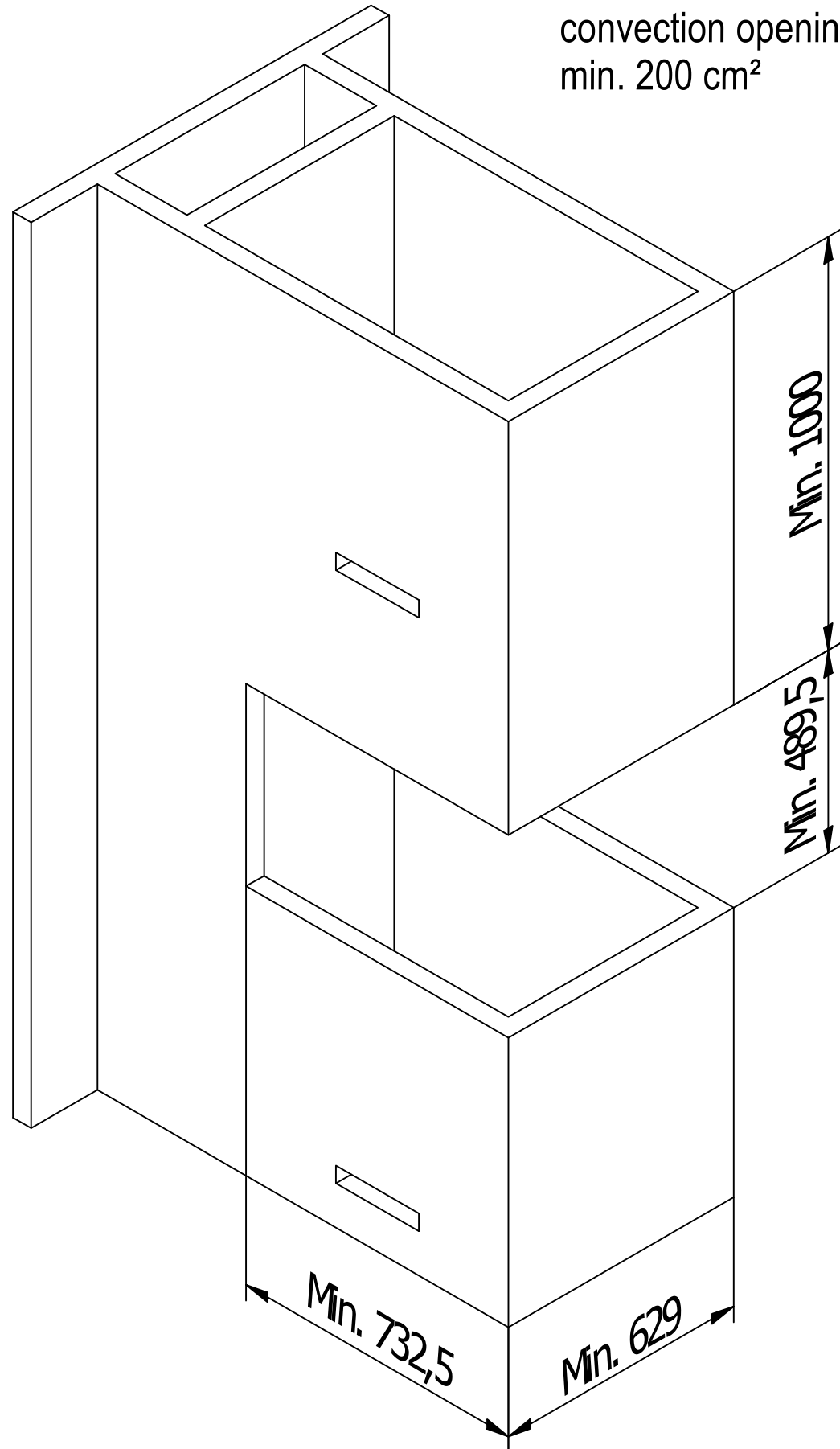


Without frame

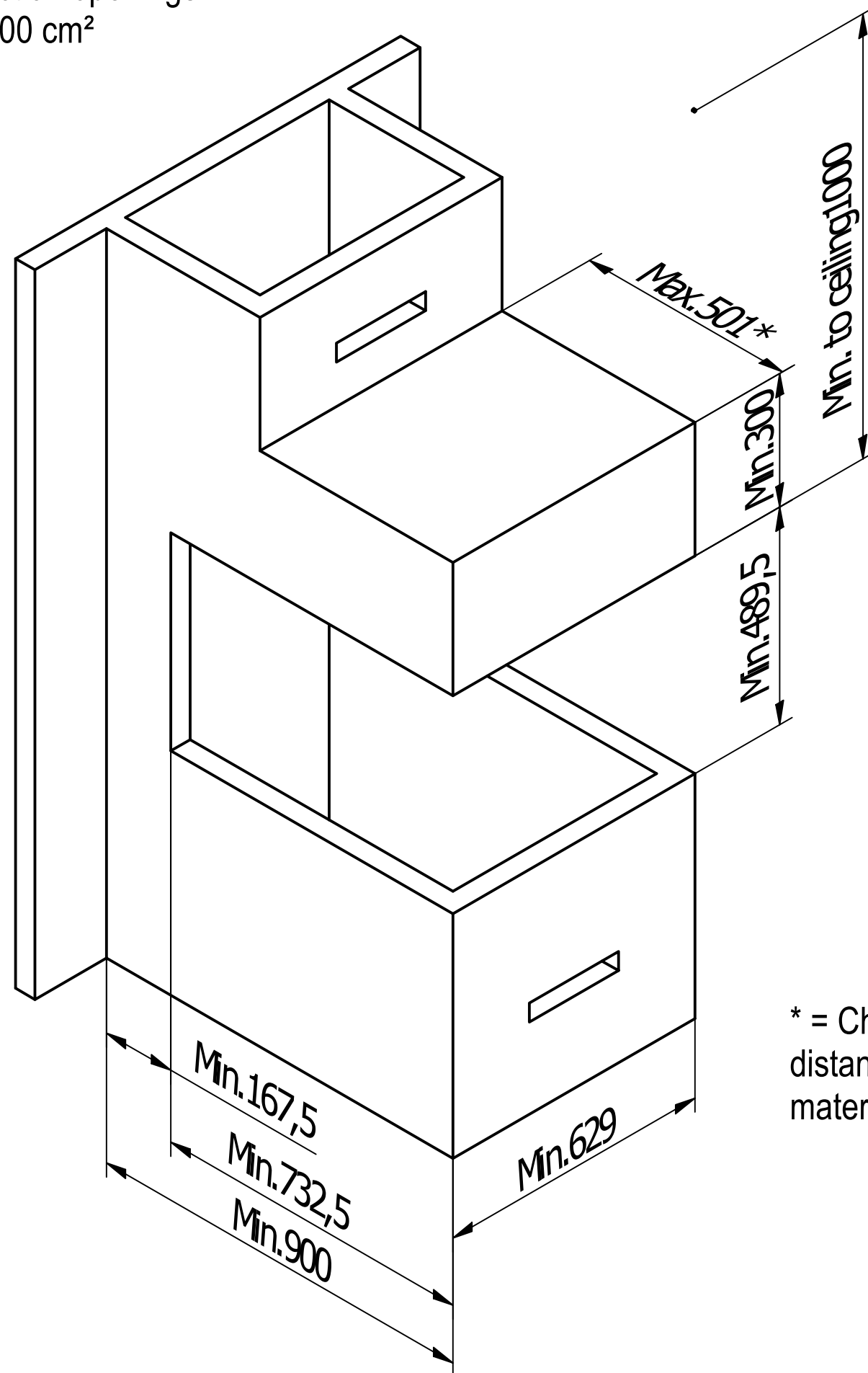


With frame

Recommended free
convection openings
min. 200 cm²



Recommended free
convection openings
min. 200 cm²



* = Check manual for
distances to combustible
materials.