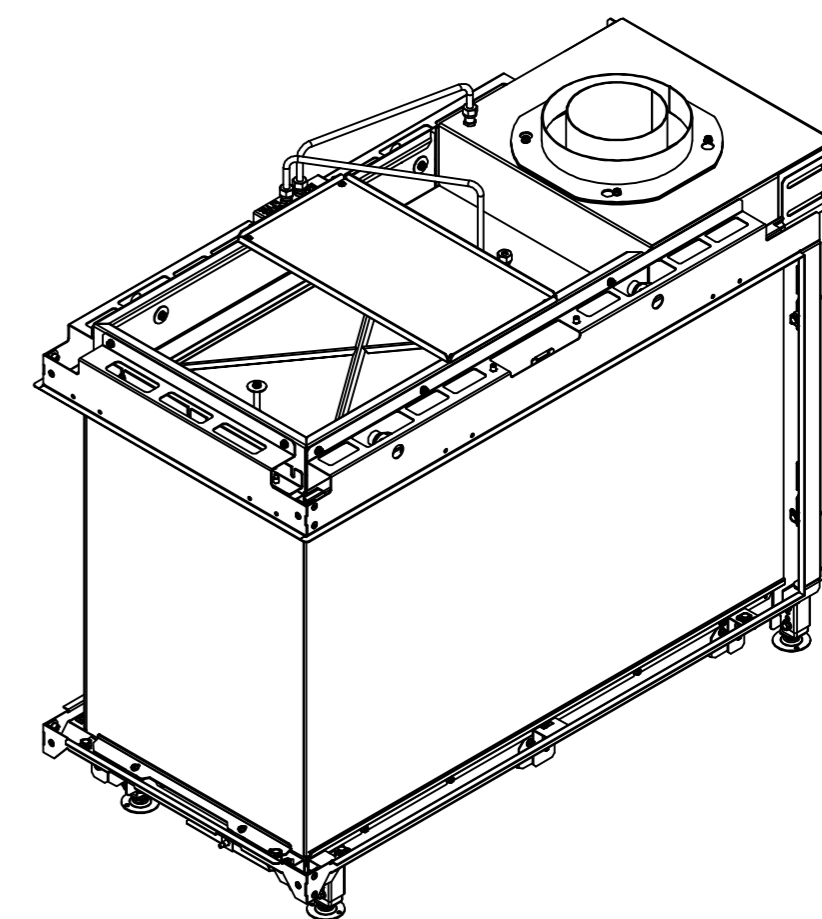
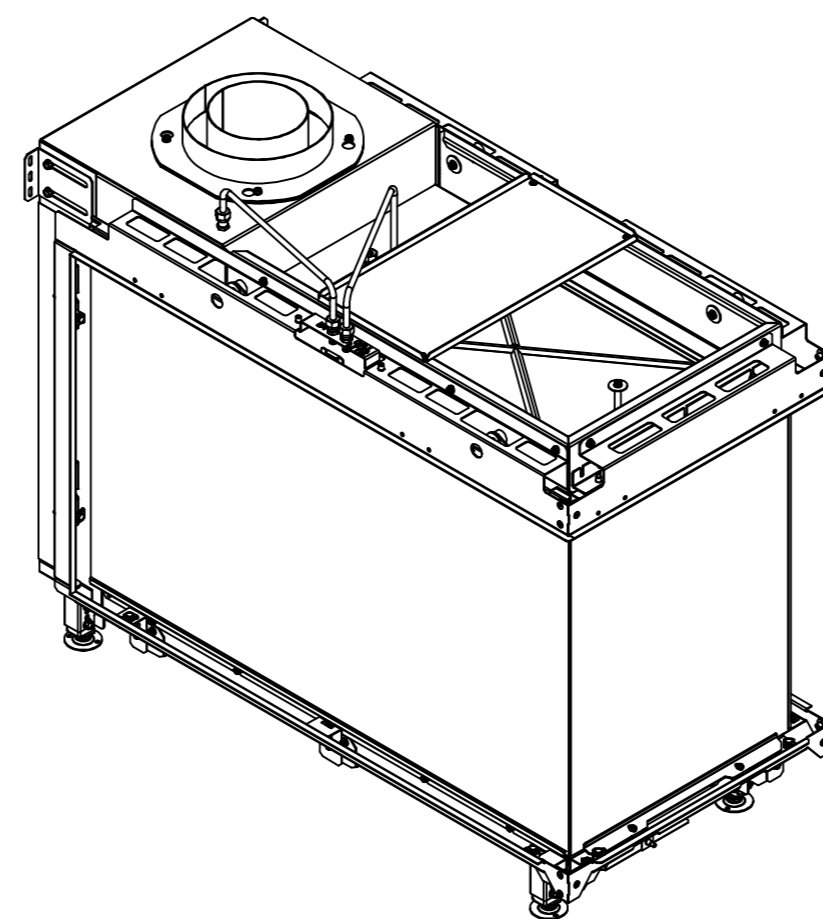
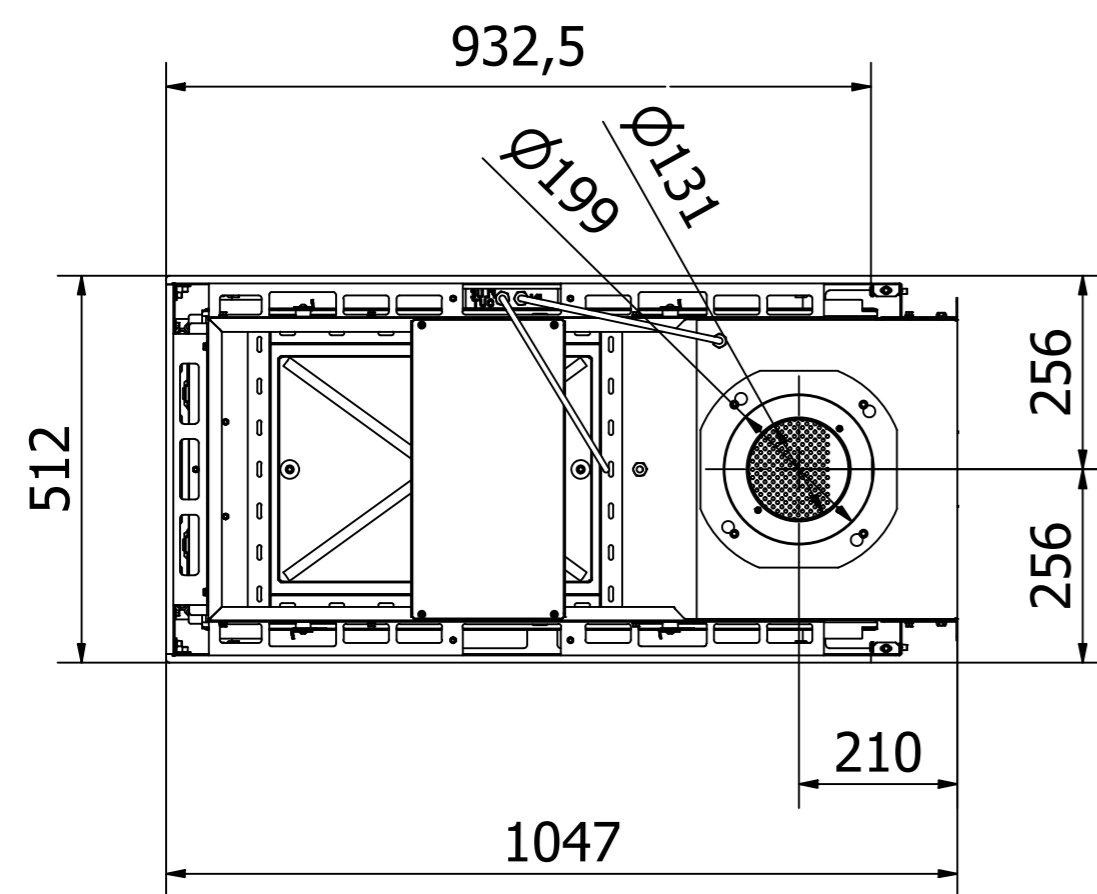
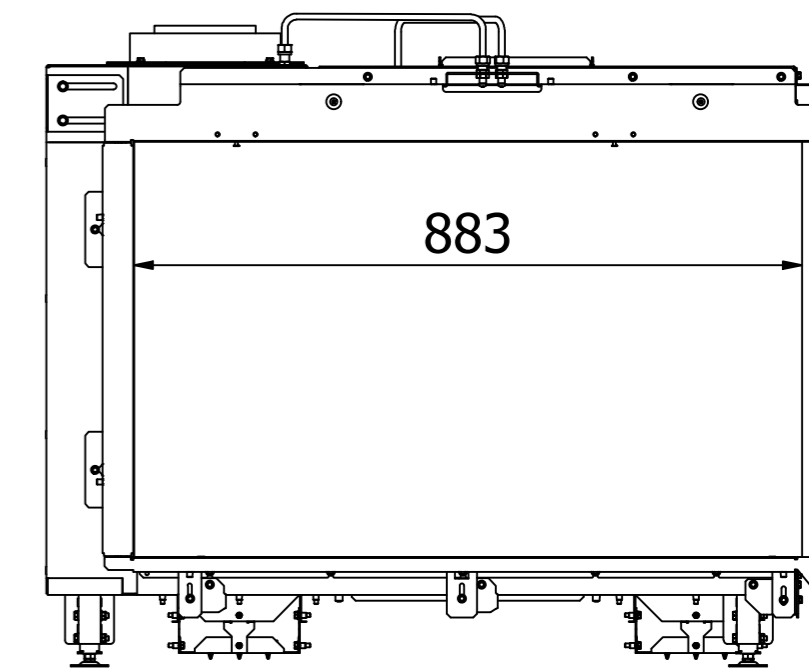
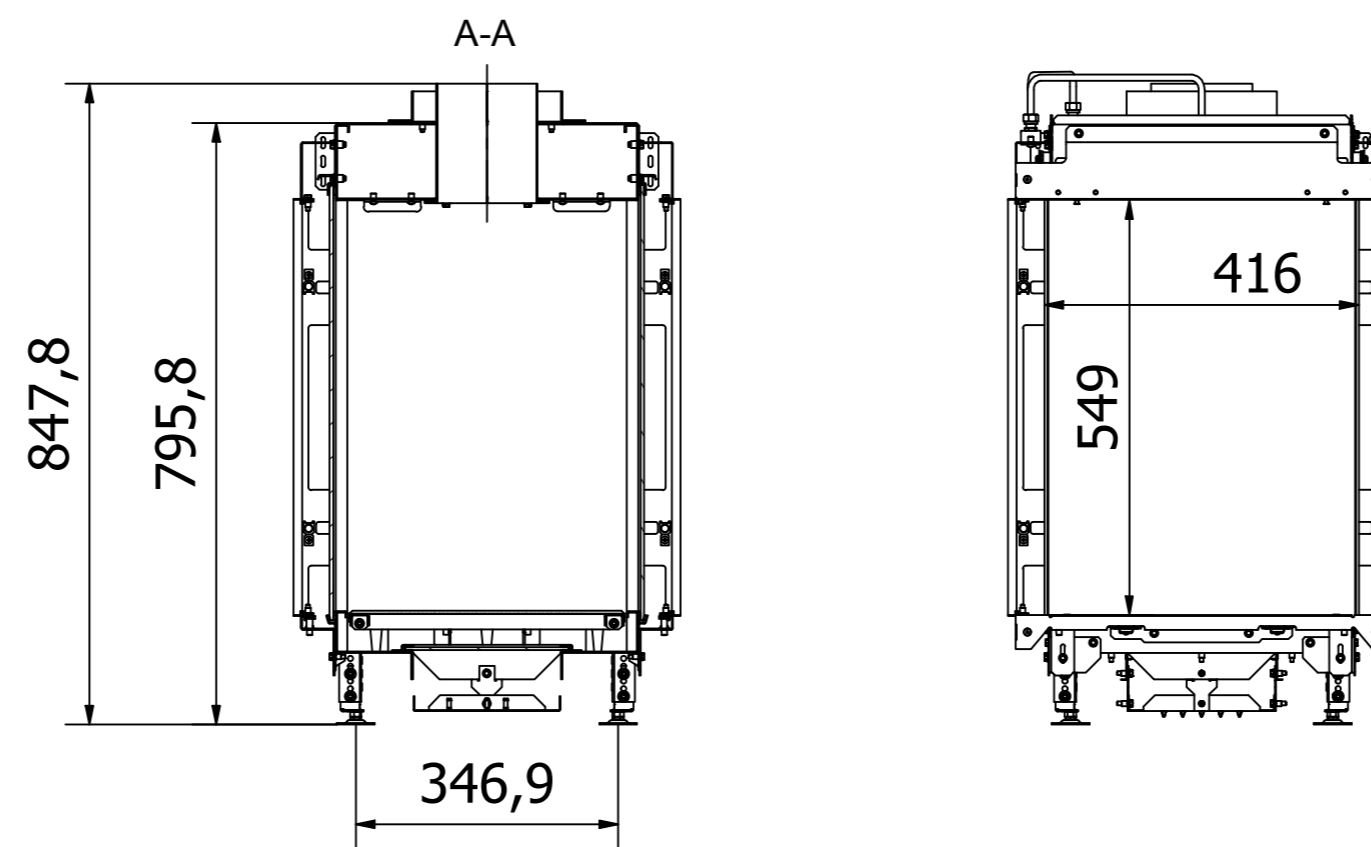
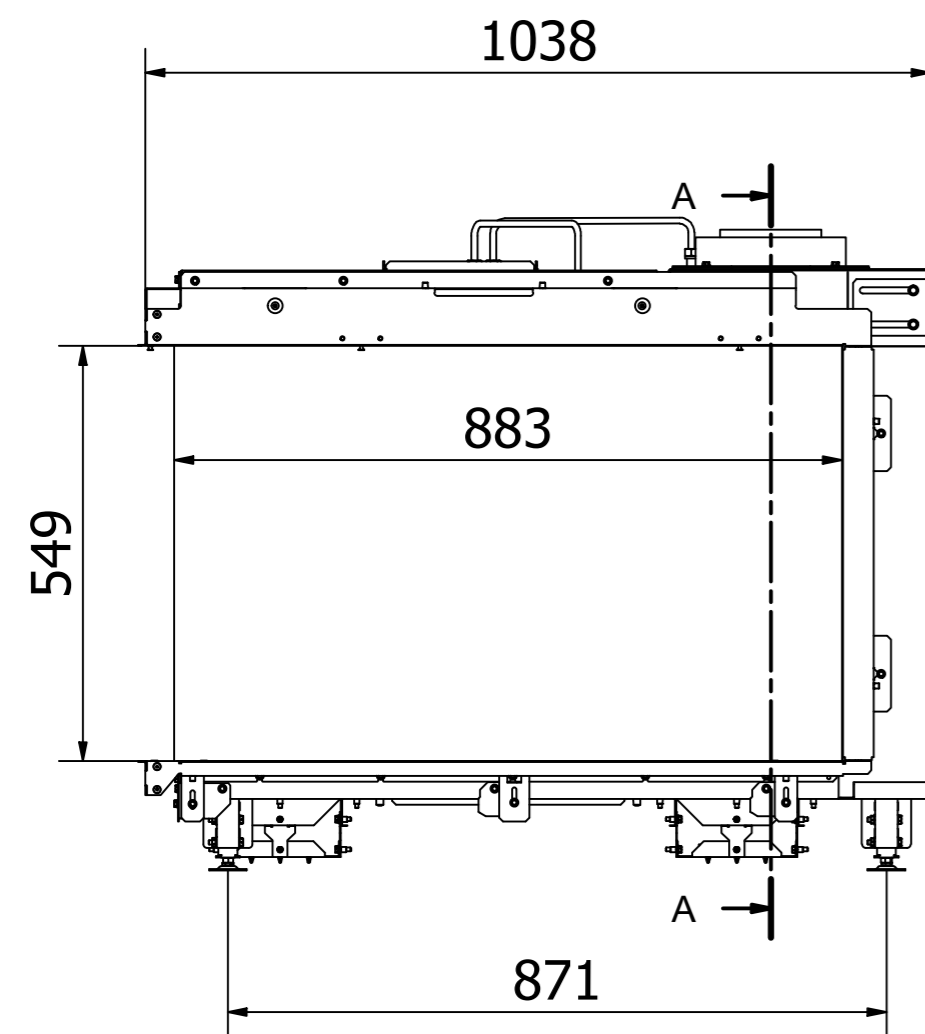
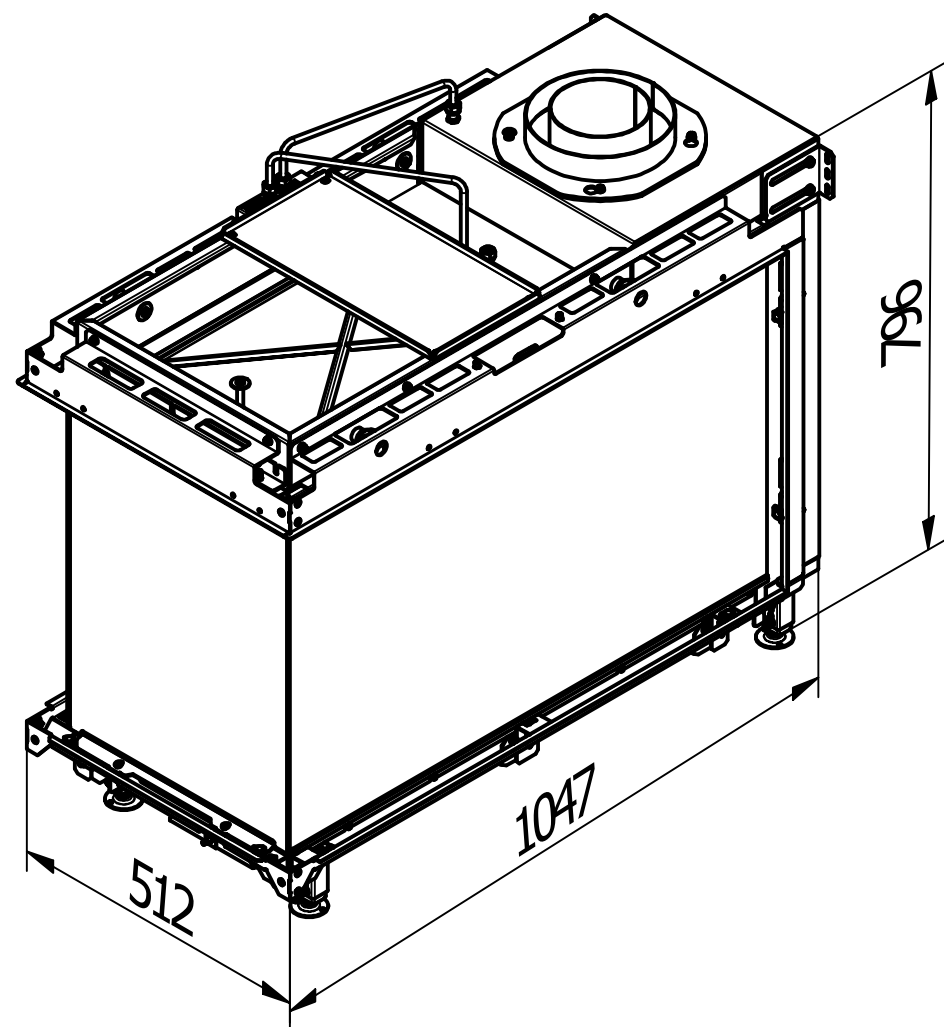


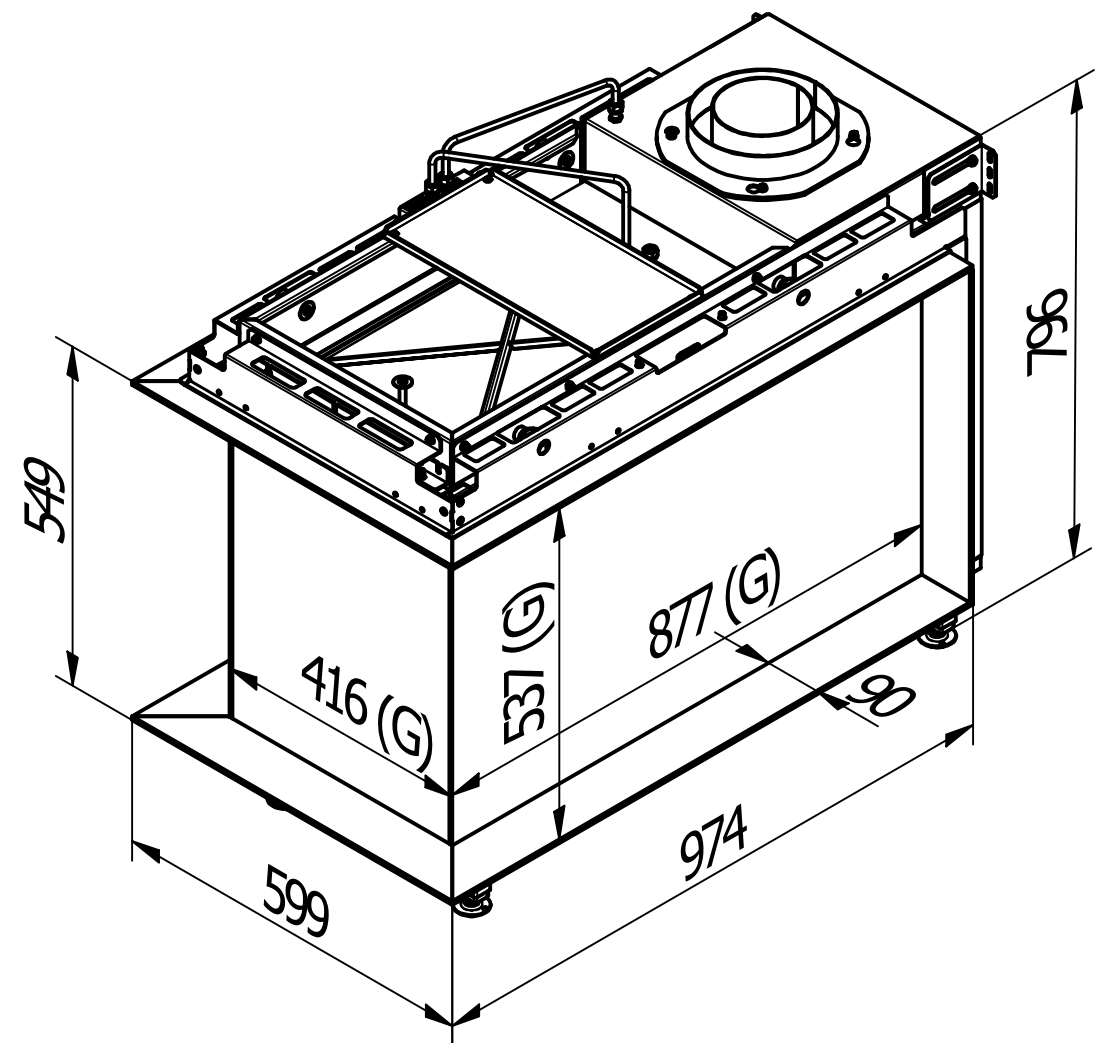
RAIS Visio Gas 40-55-90 RD-6541

Visio7_Room_Divider_020720



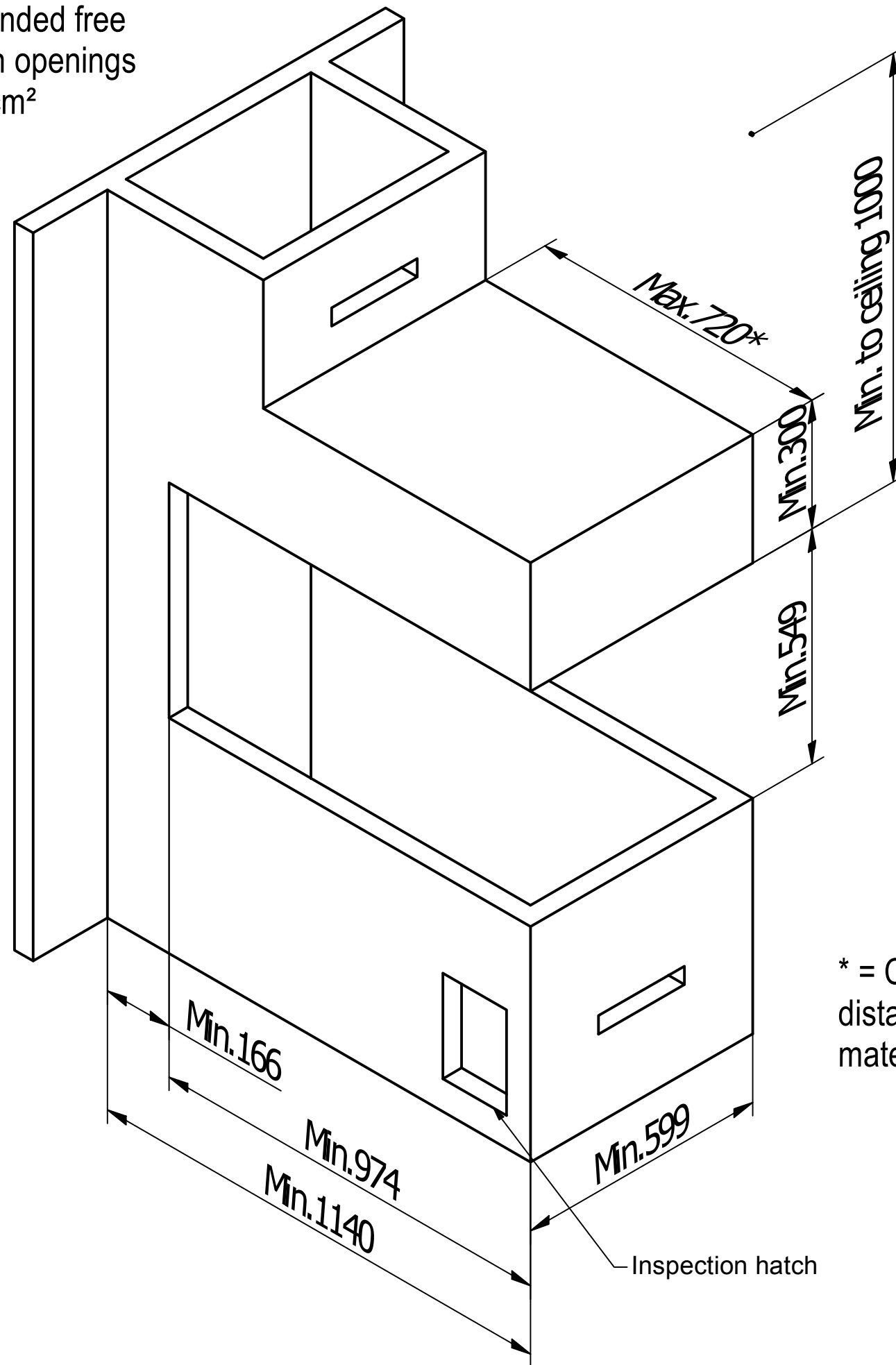


Without frame



With frame

Recommended free
convection openings
min. 200 cm²



* = Check manual for
distances to combustible
materials.